

TECHNICAL SPECIFICATIONS

GENERAL

Code	Black	38834
	White	---
Name		MS-F 210
Description		Flying Bar/Metal Base
MAX n° of speaker		16 / 6 ground stack
Accessory combo		MS-J 210

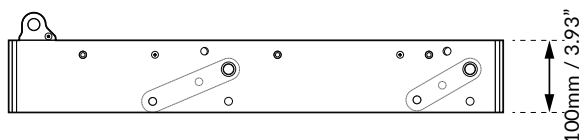
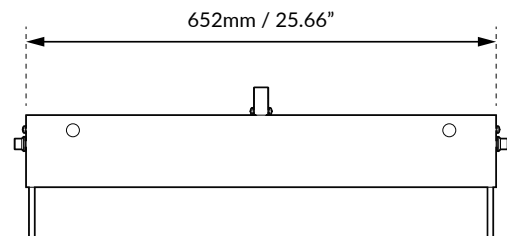
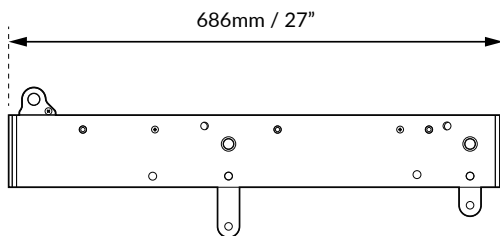
COMPATIBLE PRODUCTS

HORIZON VHA Series		118S - 118.2SA - 118SN/SND
MUSE Series		118FS/FSC - 118FSA/FSCA 118FSN/FSND - 118FSCN/ FSCND - 210L - 210LN/LND 210LA - 218S - 218SA - 218SN/SND

MECHANICAL SPECIFICATIONS

Material		Steel
Net dimensions (WxHxD)	mm	686 x 100 x 652
	inch	27 x 3.93 x 25.66
Transport dimensions (WxHxD)	mm	740 x 125 x 730
	inch	29.13 x 4.92 x 28.74
Net weight	kg	30
	lb	66.13
Transport weight	kg	33.50
	lb	73.85

DIMENSIONAL DRAWING



WARNING



The installation of FBT acoustic speakers, using the suspension accessories described in this manual and the specific installation instructions, must be carried out exclusively by qualified personnel, in full compliance with the rules and safety standards in force in the country where the installation takes place. FBT suspension accessories are designed exclusively for use with FBT systems and must not be used in combination with any other speaker or device. Every element of the ceiling, wall, or other support where a FBT system is installed or suspended must be capable of safely supporting the load. All speakers installed in workplaces and/or entertainment venues must, in addition to the main suspension system, be equipped with an independent secondary safety system with adequate load capacity. For fixed installations, regular and specific inspections must always be planned and carried out to verify all components that ensure the long-term safety of the system.

- FBT speakers must be suspended only using original accessories.
- When selecting the installation location, suspension cables, and mounting supports, ensure that all components are capable of supporting the combined weight of the speaker and suspension accessories with an appropriate safety factor.
- For fixed installations, always schedule and perform regular inspections to verify all components that ensure the long-term safety of the system.
- Never suspend the speakers using the handles; the handles are designed for transporting the speaker, not for suspension.
- Never hang onto or cling to the speaker when it is suspended.

⚠ WARNING | *When suspending FBT models, use only FBT mounting supports. The use of other mounting supports may cause dangerous instability, potentially resulting in harm to people or property.*

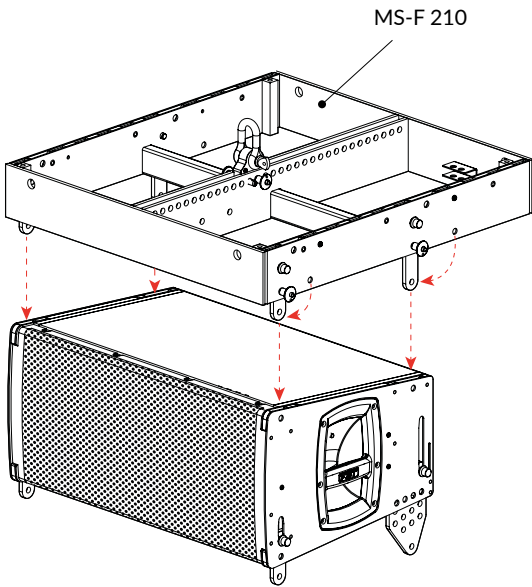
⚠ WARNING | *To prevent harm to people or property, it is essential to equip the system with the provided safety cables when the speaker is wall-mounted. Carefully select the installation area and ensure that the supporting structure is adequate to bear the weight of the speaker.*

⚠ WARNING | *FBT ELETTRONICA SpA is not responsible for any damage to persons or property resulting from failure to comply with these instructions or failure to verify the safety factor of all components involved in suspending the system.*

VERTICAL ARRAY INSTALLATION

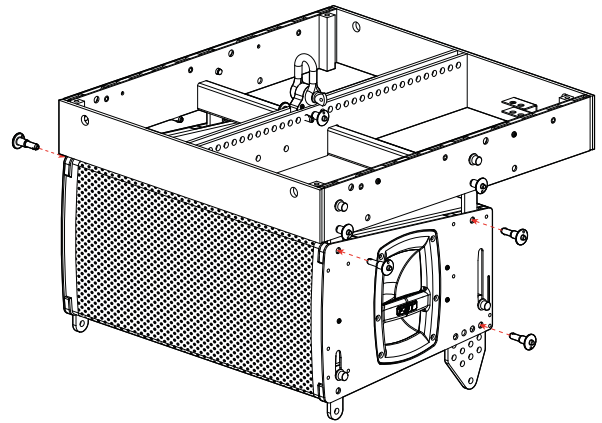
1.

Hook the speaker to the flybar using the four couplings (2 on each side).



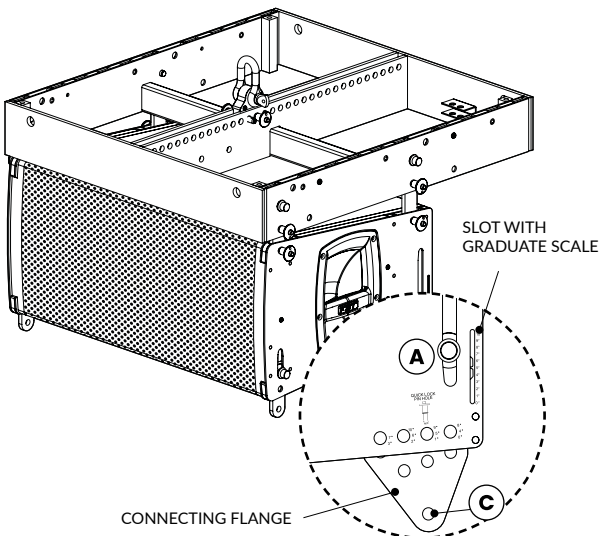
2.

Fix the couplings onto the speaker by using the fixing pins.



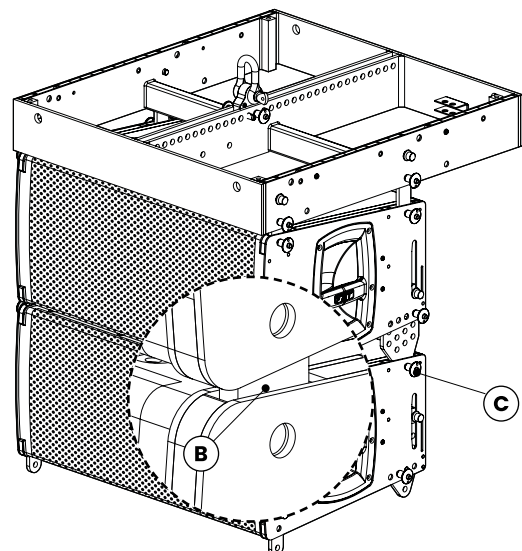
3.

By using the (A) pin, the connecting flange can be moved, reaching the desired angle, also shown in the slot with the graduate scale. Fix the connecting flange by fitting the fixing pin in the relevant hole indicating the mselected angle.



4.

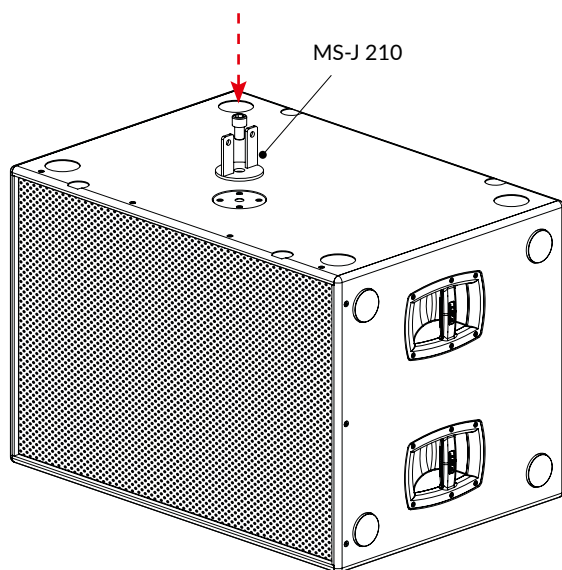
Fix the speakers to each other using the relevant fixing pin: use (B) couplings for the front, and the connecting flange in point (C) for the back.



GROUND STACKING INSTALLATION

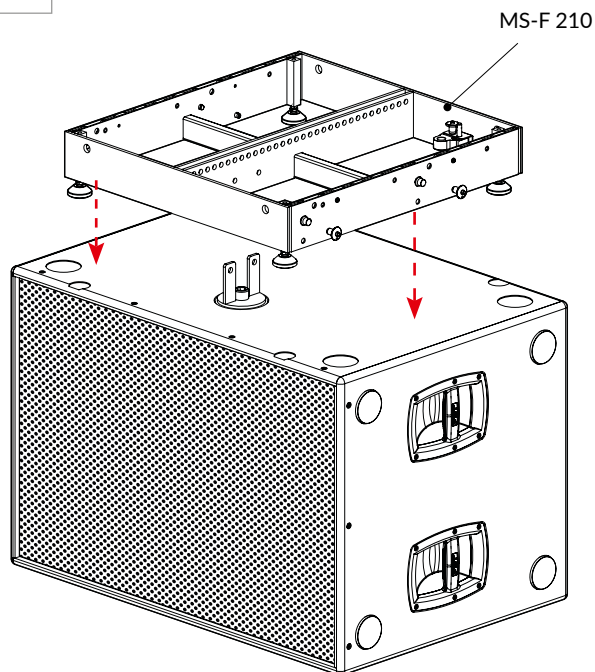
1.

Fix the MS-J 210 on the stand support flange of the sub.
⚠ NB | This accessory can be fixed on the speaker installed both horizontally and vertically.



2.

Fix the MS-F 210 flybar onto the MS-J 210 accessory.



3.

Fit the satellite to the flybar by using the connecting flange (selecting the desired angle) and the front coupling.

