



Type(s)
Project
Date
Notes

GENERAL INFORMATION

The Tour Hog is designed to suit any production environment where a compact, all-in-one solution is required. Packed with compelling, road-tested features in a stand-alone design, the Tour Hog provides RGB-backlit keys and motorized faders, five high-quality encoders with assignable wheel buttons, user and function keys for console customization as well as dual dashboard multitouch displays and an articulating high-resolution 24-inch multitouch display. The Tour Hog includes a built-in backlit alpha keyboard in a locking drawer.

The Tour Hog console’s advanced IO options include Neutrik EtherCON and OpticalCON network connections, DMX, MIDI, SMPTE, and USB on USB-A and USB-C type connections.

PRODUCT FEATURES

- Neutrik powerCON® TRUE1 power input and thru
- Two Neutrik EtherCON® Ethernet connections
- Two Neutrik Multimode opticalCON Duo connectors
- USB 3.0 type A (4) and type C (2) connectors
- Wi-Fi and Bluetooth antennas
- Four DMX outputs (5-pin XLR)
- SMPTE input (3-pin XLR)
- MIDI In/Thru/Out
- Desk Light Connector (3-pin XLR, standard Littlite pinout)

ORDERING INFORMATION

Tour Hog Console

MODEL	DESCRIPTION
6111A1001	Tour Hog Console in road case

Console ships with: TRUE1 power input cable (US), worklight, Capture lighting design software (Quartet) and dust cover.

Related Products

MODEL	DESCRIPTION
6113A1001	Gig Hog programming wing
6114A1001	Tour Wing playback wing
6204A1001	HPU hybrid processing unit
6111K1002	Road case (replacement)
Various	Response Network Gateways and Interfaces
Free Download	Hog PC Software
4380A1011	ETCnomad USB key, base (2 universes)
4380A1037	ETCnomad USB key, unlocked (12 universes)
M7183	18" Littlite LED Gooseneck 90°



SPECIFICATIONS

SYSTEM CAPACITY

- 64 Universes

DISPLAY FUNCTIONS

- Built-in articulating 23.8" high resolution multitouch display and dual 12.5" dashboard displays; six full color function key displays
- Supports two external display port monitors at 1280x1024 minimum resolution, with optional touch or multi-touch control
- User configurable displays with recordable views
- Dedicated views to access most-used items quickly
- Palette, list, views, scenes, batches, effects directories
- Programmer window
- Plot views
- Output window
- Fixture Schedule and Patch windows, sortable by fixture or by universe
- Three color schemes for daylight use, regular use or dark environment use

PROGRAMMING

- Compact RGB backlit command keypad for quick programming
- Command-line interface
- Programmer Dashboard display for encoder mapping, command line/status display and additional programming tools
- Programmer window displays selected and adjusted fixtures
- Lists constructed with +, -, and Thru or selection softkeys, Next, Back and All commands
- Intensity set with command keypad, full key, intensity palettes
- Ordered groups
- Comprehensive fanning using segments and buddying
- 12 Function keys for user kinds and commands
- Dedicated kind keys and five high-resolution parameter encoders, with two keys per encoder
- Eight user "U-Keys" for user defined functions
- Media picker window
- Hog Color System
- Programmer window
- Groups for simplified fixture selection
- Palettes: intensity, position, colour, beam, effects
- Effects Engine
- Pixelmapping Effects
- Park
- Undo command
- Delete, Move and Copy commands
- Highlight, lowlight and rem dim commands
- Cue level and parameter level timing
- Record, Update and Merge commands
- Knockout and Clear commands
- Set command for text labels and data entry

PLAYBACK CONTROLS

- Playback Dashboard display for playback bar display, master ranges, and additional playback tools
- 10 pageable, motorized RGB-backlit master playbacks with customizable faders, flash, go, halt, back and choose keys
- Main playback stack including GM, Restart, Assert, Release, Pig, Skip Forward, Skip Backward, Master Pause, and Master Play keys
- Master Ranges for quick reassignment of playback masters content
- Unlimited fader Pages
- Comment macros and keystroke macros
- Paging keys
- Virtual masters
- Scenes
- Batch controllers
- Group masters
- Triggering via Command keys
- Playback expansion via Tour Wing
- OSC input/output, MIDI messages, MIDI Show Control, MIDI/LTC timecode

INTERFACES AND ACCESSORIES

- Gig Hog programming wing
- Tour Wing playback wing
- HPU hybrid processing unit
- Response network gateways and interfaces
- ETCnomad

ELECTRICAL AND ENVIRONMENTAL

- ETL, CETL and CE compliance
- Mains power: 100–250 VAC, 50/60 Hz, max 80 W
- Mains connector: Neutrik PowerCON® TRUE1
- Breaker: 7.5 A

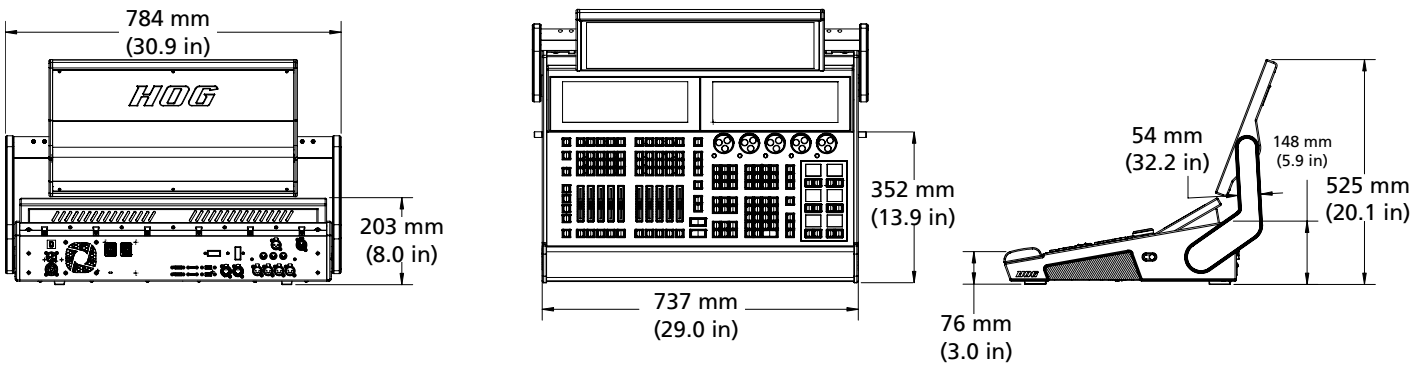
PHYSICAL

Tour Hog Dimensions and Weights†

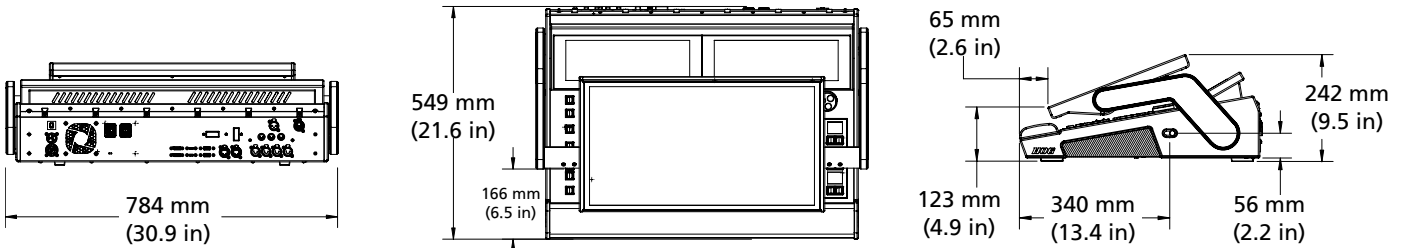
MODEL	HEIGHT		WIDTH		DEPTH		WEIGHT	
	mm	in	mm	in	mm	in	kg	lb
Tour Hog console	525	20.1	784	30.9	549	21.6	35.0	77.0
Tour Hog road case (included)	394	15.5	897	35.3	674	26.5	36.8	81.0

†Note: Console dimensions reflect monitor wing in maximum open position.

EXTENDED POSITION



TRAVEL POSITION



TOUR HOG ROAD CASE (INCLUDED)



Corporate Headquarters • Middleton, WI USA
 Global Offices • London, UK • Rome, IT • Holzkirchen, DE • Paris, FR • Hong Kong • Dubai, UAE
 New York, NY • Orlando, FL • Los Angeles, CA • Austin, TX • Squamish, BC • Victor, NY
 ©2026 ETC. All Rights Reserved. All product information and specifications subject to change. Rev E 2026-03
 *Trademark and patent info: etconnect.com/IP • Third-party license agreement info: etconnect.com/licenses