



200-Watt COB LED  
**Ellipsoidal Light**

P/N **612752**  
User Manual

# Thank you for purchasing this product

To ensure optimum performance and safety, read the following instructions before connecting, operating, or adjusting the product. Keep this manual for future reference.

## Surge protection device recommended

This product contains sensitive electrical components that may have been damaged by electrical spikes, surges, electric shocks, lightning strikes, etc. The use of surge protection systems is highly recommended in order to protect and extend the life of your equipment.

## Safety Warnings and Guidelines

### POWER

- Use this light fixture with a constant voltage power supply only. Using it with a dimmer can result in unexpected operations and damages to the fixture.
- Unplug this device from the power source when not in use.
- Prior to operation, check the unit and power cord for physical damage. Do not use if physical damage has occurred.
- Before plugging the unit into a power outlet, ensure that the outlet provides the same type and level of power required by the device.
- This device uses a grounded power cord and requires a ground connection for safe operation. Ensure that the power source has a proper ground connection. Do not modify the plug or use a "cheater" plug to bypass the ground connection.
- Do not allow the power cord to be crimped, pinched, stepped on, etc. Ensure that the power cord does not present a tripping hazard.
- Never unplug the unit by pulling on the power cord. Always grasp the connector head.
- Ensure that power is turned off and disconnected before making any electrical connections.

### ENVIRONMENT

- Avoid direct eye exposure to the light from this device.
- When installing this device, ensure that the mount is sufficiently robust to support the weight of the unit and to prevent unwanted movement.
- Do not subject the product to extreme force, shock, or fluctuations in temperature or humidity.

- This device is intended for indoor use only.
- Do not expose this device to rain, water, or moisture of any kind. Do not use in extremely dusty environments. Do not touch the device or power cord with wet hands.
- When installing this device, ensure that there are no flammable materials within about 8 feet above and on all sides. Ensure that there is at least 2 feet of clearance between the unit and any walls.
- This device ventilates excessive heat through the slots and openings in the case. Do not block or cover these openings. Ensure that the device is in an open area where it can get sufficient airflow to keep from overheating.

## **MAINTENANCE**

- Clean using a soft, dry cloth only. Do not use chemical cleaners, solvents, or detergents. For stubborn deposits, moisten the cloth with warm water.
- Keep away from corrosive materials.
- Keep the original packaging material for use when transporting the device.
- This device has no user-serviceable parts. Do not attempt to open, service, or modify this device.

## **Table of Contents**

Introduction.....	4
Features.....	4
Package Contents .....	4
Menu Display and Controls .....	5
DMX Control .....	6
Master/Slave Control.....	6
Dimming and Strobe Control.....	7
Manual Control.....	8
AC Power Cable .....	9
Specifications.....	10

## Introduction

The light fixture features a single, 200-watt white LED, a 19° beam angle, and is capable of producing up to 4300 lux at 3200K. It allows for manual control of the beam size, using four independently adjustable shutters, and the focus, as well as 3-channel DMX512 control over the dimmer and strobe. It includes a built-in Strobe program and can be configured as a DMX Slave light.

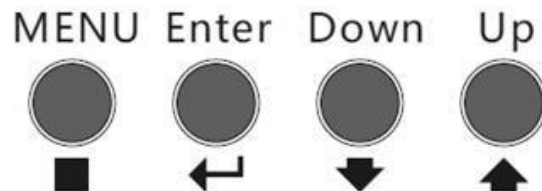
## Features

- 200-watt 3200K white LED
- 19° beam angle
- Up to 4300 lux at 4 meters
- Adjustable beam size using four independently adjustable shutters
- Manual focus control
- 3-channel DMX control
- Built-in Strobe program
- NAC3 power input and pass-through output

## Package Contents

- 1x 200-Watt COB LED ellipsoidal light
- 1x AC power cord (NEMA 5-15P to NAC3)
- 1x NAC3 output connector
- 1x User's manual

## Menu Display and Controls



- MENU:** Press the **MENU** button to cycle through the DMX512, Dimmer, and Strobe modes. After setting a DMX512, Dimmer, or Strobe value, press the MENU button to accept the setting.
- ENTER:** Press the **Enter** button to edit the value for the display mode.
- DOWN:** Press the **Down** button to decrease the displayed value. Press and hold the button to rapidly decrease the displayed value.
- UP:** Press the **Up** button to increase the displayed value. Press and hold the button to rapidly increase the displayed value.

# DMX Control

A single light fixture can be connected to and controlled by a DMX512 controller. To use the light with a controller, repeatedly press the MENU button until DMX512 [MODE] is displayed, then press the Enter button to edit the value.

Use the Up and Down buttons to select a channel from 001-512. Note that when you enter DMX512 mode, the built-in programs are disabled.

The three channels control the following functions with the listed values:

Channel	Function	Value	Control
1	Dimmer	0-255	0-100% brightness
2	Strobe Speed	0-9	No function
		10-255	Strobe speed 5-20Hz
3	Dimmer Speed	0-63	Real time
		64-127	Fast controlled response*
		128-191	Medium controlled response
		192-255	Slow controlled response

**NOTE:** The Fast controlled response option is recommended for use with less expensive DMX512 controllers.

## Master/Slave Mode

When using one of the built-in programs, the fixture is considered to be in Master mode. You can then daisy-chain additional fixtures configured as Slaves to perform the same actions as the Master.

To configure a fixture as a **Master**, set the light to any mode except DMX mode.

To configure a fixture as a **Slave**, enter DMX mode and set the channel to 001.

**NOTE:** You cannot use a DMX controller when connecting multiple lights in Master/Slave mode.

# Dimming and Strobe Control

## DIMMER MODE

The Dimmer function controls the light's brightness. To enter Dimmer Mode, press the MENU button repeatedly until Dimmer [MODE] is displayed, then press the Enter button to edit the value.

Use the Up and Down buttons to adjust the displayed value. The dimmer can be set to any value between 0 (off) and 4096 (maximum brightness).

When set to its highest value (4096), the light will produce the illumination levels and beam diameters at the listed distances.

<b>Distance (m)</b>	4	5	6	8	10
<b>Lux at Center</b>	4300	2950	1850	1150	750
<b>Beam Diameter (cm)</b>	135	165	200	255	320

NOTE: When Dimmer [MODE] is displayed, the light will not strobe.

## STROBE MODE

To enter Strobe Mode, press the MENU button repeatedly until Strobe [MODE] is displayed, then press the Enter button to edit the displayed value.

Use the Up and Down buttons to adjust the displayed value. The strobe speed can be set to any value between 0 (5 flashes per second) and 12 (20 flashes per second). The light will continue to strobe as long as the display shows either Strobe [xx] or Strobe [MODE], where xx is a value between 0 and 12.

## TEMPER MODE

Press the MENU button until the display shows "Temper".

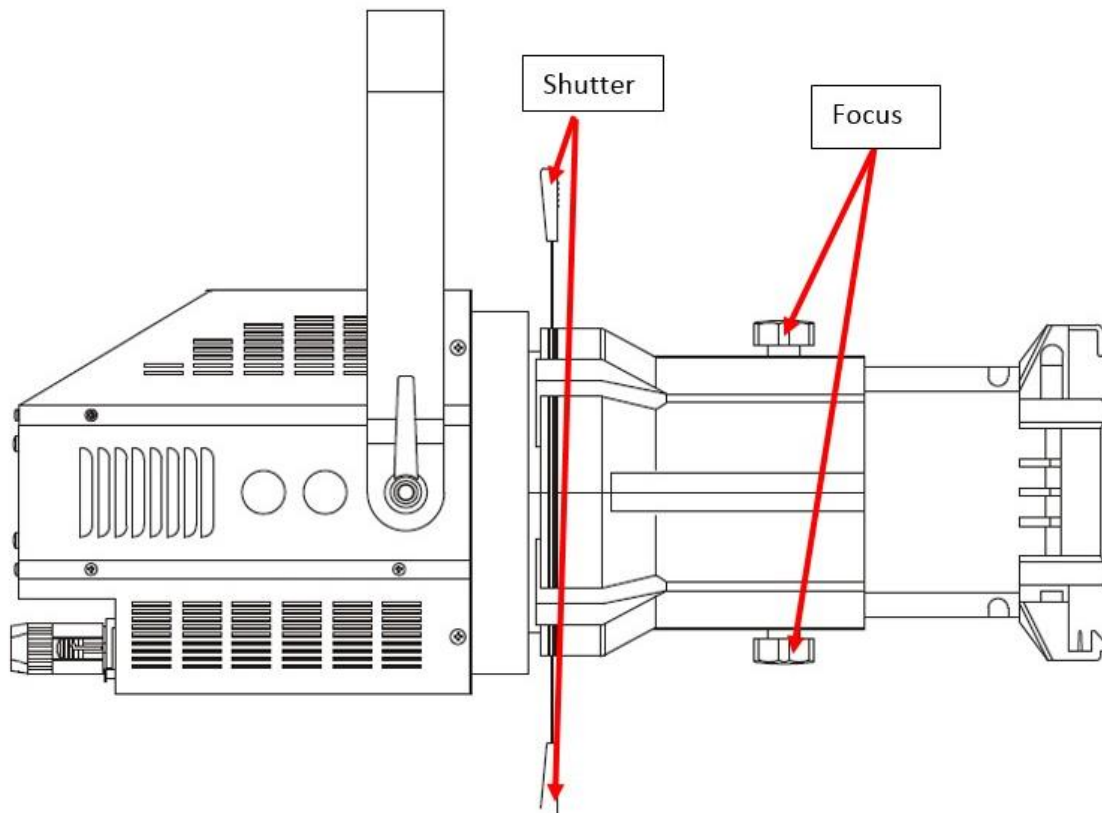
Press Enter to confirm.

Here you read out the current internal temperature of the device.

During operation, the fan does not rotate if the internal temperature is below 50°C. The fan starts rotating at 57°C.

# MANUAL CONTROL

In addition to the DMX or built-in electronic controls, you can control the size of the light beam as well as its focus.



## SHUTTERS

Four (4) shutter levers are located on the top, bottom, and on each side. Each shutter is used to crop the light from the opposite side of the fixture. The top shutter crops the light beam from the bottom of the fixture, the bottom crops from the top, the left crops from the right, and the right crops from the left.

## FOCUS

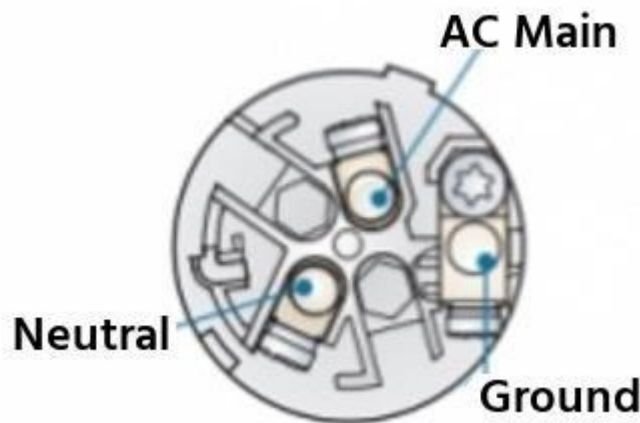
Loosen the knobs on the top and bottom of the fixture to allow the lens to be moved in or out, thereby adjusting the focus. When you are done adjusting focus, tighten the knobs to prevent accidental changes.

# AC Power Cable

**Warning!** Power cable wiring should only be done by experienced, qualified individuals or professional electricians.

**DO NOT** attempt to make AC power cables unless you know exactly what you are doing and have previously done so.

This light uses NAC3 connectors for power input and pass-through output. A NEMA 5-15P to NAC3 AC power cable is included, as well as an NAC3 output connector, so you can make a pass-through power cable.



The light requires the use of a three-conductor AC cable and plug with a dedicated ground/earth pin. Three-conductor AC cabling in the US uses different jacket colors than that used in the EU. The following table shows the jacket colors to connect to the labeled pins on the connector:

AC Conductor	US Standard	EU Standard
AC Main	Black	Brown
Neutral	White	Blue
Ground	Green	Green & Yellow

## RMD Function

In regards to the RMD function, use the console to search each fixture and change the fixture address code in the DMX512 mode.

Identification Code: each fixture has an identification code as shown below, the identification code of each fixture is different, please check the fixture label.

Device code: 10000001

Device ID: 01A1.10000001

## Specifications

Model	612752
Light Source	1x 3200K white 200-watt LED
Maximum Illumination	4300 lux at 4 meters
DMX Control	3-channels
DMX Input/Output	3-pin XLR input and pass-through output
Power Input/Output	NAC3 input and pass-through output
Maximum Power Consumption	220 watts
Input Voltage	100 ~ 240 VAC, 50/60 Hz
Dimensions	22.8" x 11.0" x 8.3" (58 x 28 x 21 cm)
Weight	17.6 lbs. (8kg)

## **CUSTOMER SERVICE**

The Monoprice Customer Service department is dedicated to ensuring that your ordering, purchasing, and delivery experience is second to none. If you have any problems with your order, please give us an opportunity to make it right. You can contact a Monoprice Customer Service representative through the Live Chat link on our website [www.monoprice.com](http://www.monoprice.com) or via email at [support@monoprice.com](mailto:support@monoprice.com). Check the website for support times and links.

## **TECHNICAL SUPPORT**

Monoprice™ is pleased to provide free, live, online technical support to assist you with any questions you may have about installation, setup, troubleshooting, or product recommendations. If you ever need assistance with your new product, please come online to talk to one of our friendly and knowledgeable Tech Support Associates. Technical support is available through the online chat button on our website [www.monoprice.com](http://www.monoprice.com) or through email by sending a message to [tech@monoprice.com](mailto:tech@monoprice.com). Check the website for support times and links.

To download the latest drivers, firmware, manuals, etc., go to [www.monoprice.com](http://www.monoprice.com) and type the **P/N** into the search bar. If available, support files are linked at the bottom of the product page.

# REGULATORY COMPLIANCE

## Notice for FCC



This device complies with Part 15 of the FCC rules. Operation is subject to the following two conditions: (1) this device may not cause harmful interference, and (2) this device must accept any interference received, including interference that may cause undesired operation.

Modifying the equipment without Monoprice's authorization may result in the equipment no longer complying with FCC requirements for Class B digital devices. In that event, your right to use the equipment may be limited by FCC regulations, and you may be required to correct any interference to radio or television communications at your own expense.

This equipment has been tested and found to comply with the limits for a Class B digital device, pursuant to Part 15 of the FCC Rules. These limits are designed to provide reasonable protection against harmful interference in a residential installation. This equipment generates, uses and can radiate radio frequency energy and, if not installed and used in accordance with the instructions, may cause harmful interference to radio communications. However, there is no guarantee that interference will not occur in a particular installation. If this equipment does cause harmful interference to radio or television reception, which can be determined by turning the equipment off and on, the user is encouraged to try to correct the interference by one or more of the following measures:

- Reorient or relocate the receiving antenna.
- Increase the separation between the equipment and receiver.
- Connect the equipment into an outlet on a circuit different from that to which the receiver is connected.
- Consult the dealer or an experienced radio/TV technician for help.

## Notice for ISED Canada

This Class B digital apparatus complies with Canadian ICES-003.

Cet appareil numérique de la classe B est conforme à la norme NMB-003 du Canada.

*Monoprice™ and all Monoprice logos are trademarks of Monoprice Inc.*



TECHNOLOGY AT PRICES THAT MAKE SENSE

[www.monoprice.com](http://www.monoprice.com)

**Monoprice, Inc.**

1 Pointe Drive, Suite 400  
Brea, CA 92821 – USA  
[www.monoprice.com](http://www.monoprice.com)

Need Help? We're here for you!

Contact us: [www.monoprice.com/contactus](http://www.monoprice.com/contactus)

Product pictures are for reference only.

Specifications described herein are subject to change without prior notification.

Monoprice™ and all Monoprice logos are trademarks of Monoprice Inc.

Copyright © 2022 Monoprice, Inc. All rights reserved.